

30 Gallon Generator/Refueling System Available From ABC Marketing!

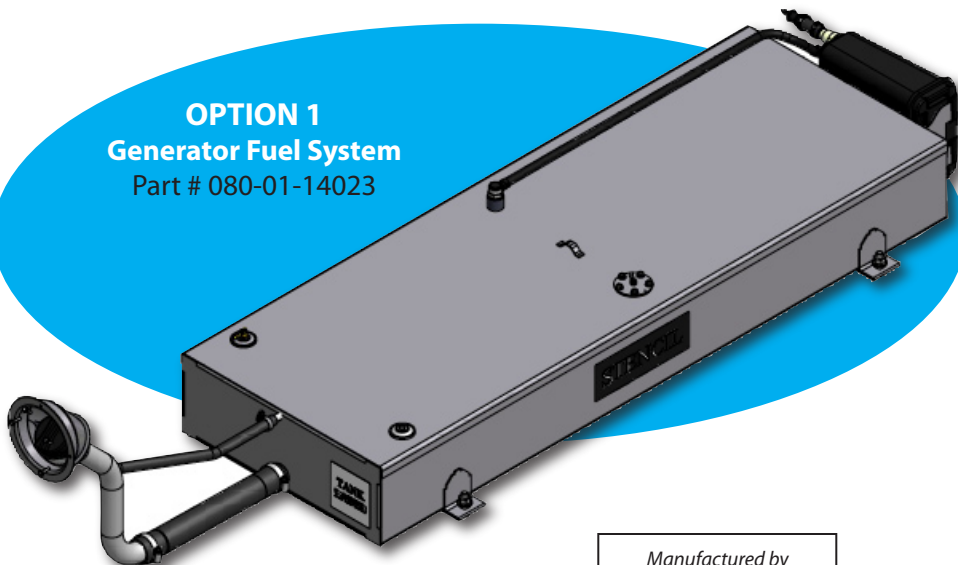
Whether your RVs require a generator tank, refueling tank, or both, ABC Marketing has the solution to your needs. Introducing a 30 gallon Universal Generator/Refueling System that will fit on most travel trailers and fifth wheels. The system is CARB and SORE compliant for 2008, and is manufactured by Transfer Flow — a leading manufacturer of OEM and aftermarket fuel tank systems!

OPTION 1 - Fuel System

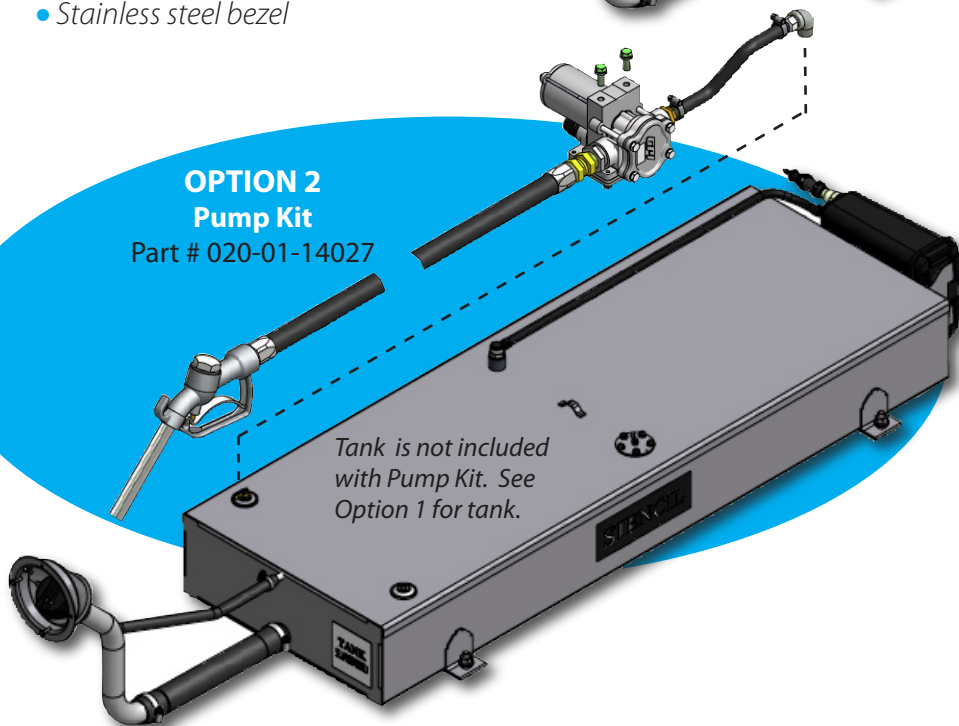
Includes:

- 30 gallon fuel tank with mounting brackets
- SORE and RVIA compliant rollover valve
- SORE compliant emissions canister
- Anti-expulsion valve
- 90 ohm sending unit installed
- 90 ohm zero positioning fuel gauge for dash
- All grade 8 mounting hardware
- Fillneck assembly from tank to side of trailer
 - Fillneck
 - Gas cap
 - 1 1/2" fill hose
 - 1/2" vent hose
 - Stainless steel bezel

OPTION 1 Generator Fuel System Part # 080-01-14023



OPTION 2 Pump Kit Part # 020-01-14027



OPTION 2 - Pump Kit*

Includes:

- GPI 12-volt refueling pump
- Strain relief
- UL listed 8 foot hose assembly
- UL listed hose nozzle

* Tank is not included with Option 2. You must purchase a generator fuel system (Option 1) when purchasing this product.

Legal and Reliable! Meets CARB and SORE Regulations.

The 30 gallon Universal Generator/Refueling tank is manufactured from 14-gauge aluminized steel for superior corrosion resistance and strength, and when installed per Transfer Flow instructions, meets NFPA 1192 regulations plus carries a 2 year warranty. Each system comes with an Executive Order number from the California Air Resource Board, and the hose assembly and nozzle is UL listed. For more information and pricing, call ABC Marketing at (574) 293-9399.



4800 Eastland Drive Elkhart, IN 46516
(574)293-9399 • Fax (574)293-5801
www.abcmktginc.com

